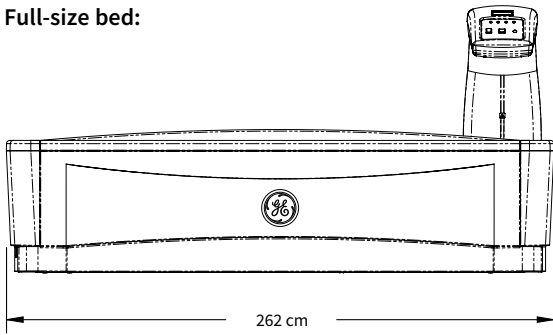


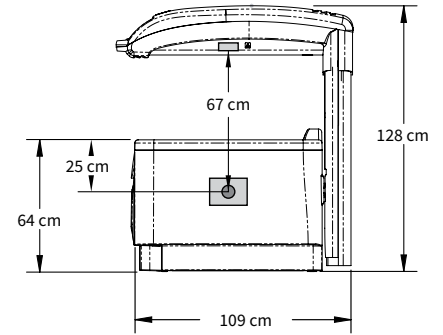
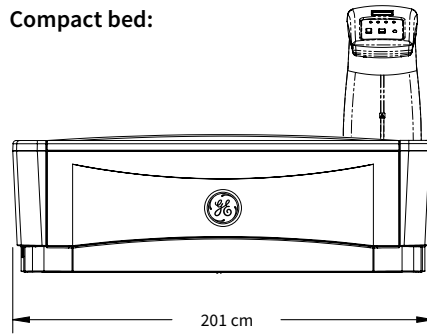
# Prodigy™ Specification Sheet

## Scanner dimensions:

### Full-size bed:

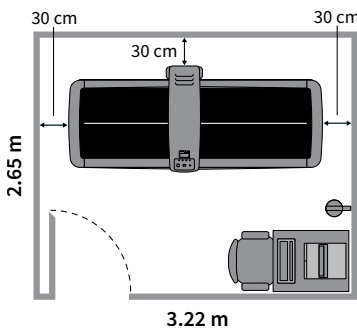


### Compact bed:

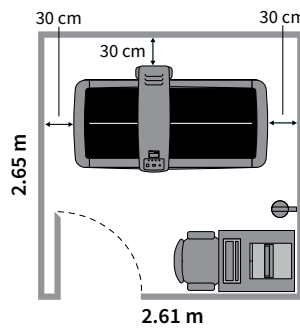


## Minimum room dimensions<sup>1</sup>:

### Full-size bed:



### Compact bed:



## Scanner table specifications:

Scanner size (full-size bed)	262(W) x 109(D) x 128(H) cm
Scanner size (compact bed)	201(W) x 109(D) x 128(H) cm
Scanner weight (full-size bed)	272 kg
Scanner weight (compact bed)	254 kg
Patient table top height	64 cm
Drive system	stepper motor with reinforced drive belts
Active scan area (full-size bed)	196 cm x 60 cm
Maximum patient weight supported	159 kg
Active scan area (compact bed)	134 cm x 60 cm
Start position indicator	cross laser light (class II, <1 mW power)
Pad	washable patient mat
Attenuation of patient support table	<1.2 mm AL
Communication cable	7.62 m serial
Scanner leakage current	meets IEC 60601-1 safety standard

## Computer specifications:

Processor	Intel® Core™ i3 10 <sup>th</sup> generation
Operating System	Windows® 10 IoT 2021 LTSC
Memory	RAM 8 GB
Storage	1 TB NVMe SSD
Optical Drive	DVD-RW SATA
Monitor	24" SVGA (min resolution 1920 x 1080 32-bit color)
Archive Drive (optional)	1 TB USB
Document viewing	Adobe® Reader® DC
Browser	Microsoft Edge
Printer	Windows®-compatible

## Detector specifications:

Detector	LYSO X-ray counting detector
----------	------------------------------

## Environmental specifications:

Power	200-240 VAC 50/60 Hz 10A dedicated circuit
Consumption	idling 40VA, scanning 450VA
Distortion	sinusoidal waveform, less than 5% THD
Humidity	20%-80% non-condensing
Room temperature	18°C-27°C
Scanner heat output	idling 150 BTU/hr, scanning 1500 BTU/hr
Console heat output	approx. 200 BTU/hr with 24" monitor
Ventilation	all cooling vents must remain unblocked
Dust, fumes, debris	install system in clean, ventilated area
Altitude	tested up to 4,000 m

## Connectivity:

- Teledensitometry<sup>2</sup>
- DICOM® interface
- HL7 interface
- SQL Server

# Prodigy Specification Sheet – Full

✓ Standard   
 ● Optional   
 ✗ Not Available

		Prodigy with Primo SW Package	Prodigy with Pro SW Package	Prodigy with Advance SW Package
		Full Size	Full Size	Full Size
Productivity Apps	SQL Server Database	✓	✓	✓
	HL7	✓	✓	✓
	DICOM®	✓	✓	✓
	Multiuser dB (1-3)	✓	✓	✓
	Teledensitometry <sup>2</sup>	✓	✓	✓
	ScanCheck	✓	✓	✓
	Practice Management	✓	✓	✓
	Composer	✓	✓	✓
	OneScan	✓	✓	✓
	OneVision	✓	✓	✓
	Multiuser Database (1-40)	✗	●	✓
	QuickView	✗	✗	✓
Basic Bone	AP Spine	✓	✓	✓
	Dual Femur	✓	✓	✓
	Femur	✓	✓	✓
	Forearm	✓	✓	✓
	Nonseated Forearm	✓	✓	✓
	FRAX® Fracture Risk Tool	✓	✓	✓
	DVO Fracture Risk Tool <sup>3</sup>	✓	✓	✓
	DVA (Includes: LVA, APVA, Lateral BMD)	●	●	✓
Advanced Bone	Pediatric – AP Spine	●	✓	✓
	Pediatric – Femur	●	✓	✓
	Pediatric – TB (Birth to 20 YO)	●	✓	✓
	Orthopedic Knee	✗	●	✓
	Orthopedic Hip	✗	●	✓
	Advanced Hip Assessment	✗	●	✓
	Hand	✗	●	✓
	Atypical Femur Fracture	✗	●	●
	Small Animal	✗	●	●
Total Body	Total Body BMD	✓	✓	✓
	Total Body Comp	●	✓	✓
Advanced Body	Advanced Body Comp <sup>4</sup>	✗	●	✓
	CoreScan™	●	●	✓
	Sarcopenia	✗	●	●
New enCORE v18 Options	DXAVision™	✗	●	●
	Advanced Analytics Full	✗	●	●
	Advanced Analytics Bone	✗	●	●
	Advanced Analytics Body Comp	✗	●	●
	Sports Athletics Package	✗	●	●
	Integrated TBS 3.1	●	●	●

# Prodigy Specification Sheet – Compact

✓ Standard   
 ● Optional   
 ✗ Not Available

		Prodigy with Pro SW Package
		Compact Size
<b>Productivity Apps</b>	SQL Server Database	✓
	HL7	✓
	DICOM®	✓
	Multiuser dB (1-3)	✓
	Teledensitometry <sup>2</sup>	✓
	ScanCheck	✓
	Practice Management	✓
	Composer	✓
	OneScan	✓
	OneVision	✓
	Multiuser Database (1-40)	●
	QuickView	✗
<b>Basic Bone</b>	AP Spine	✓
	Dual Femur	✓
	Femur	✓
	Forearm	✓
	Nonseated Forearm	✓
	FRAX® Fracture Risk Tool	✓
	DVO Fracture Risk Tool <sup>3</sup>	✓
	DVA (Includes: LVA, APVA, Lateral BMD)	●
<b>Advanced Bone</b>	Pediatric – AP Spine	✓
	Pediatric – Femur	✓
	Orthopedic Hip	●
	Advanced Hip Assessment	●
	Hand	●
	Orthopedic Knee	●
	Atypical Femur Fracture	●
	Small Animal	●
<b>New enCORE v18</b>	Integrated TBS 3.1	●

1. A small room kit with isolation transformer may be required. Please refer to local regulations.
2. Additional hardware may be required for fax capabilities
3. German speaking countries only.
4. Bone-Lean-Tissue Color Coding, Metabolic Results (ICW, ECW, TBW), Resting Metabolic Rate, Composer Style Sheets – Body Sports Medicine Segmental, Body Patient Weight Loss.

Products mentioned in the material may be subject to government regulations and may not be available in all countries. Shipment and effective sale can only occur after approval from the regulator. Please check with local GE HealthCare representative for details.

© 2023 GE HealthCare. Prodigy, DXAVision, CoreScan and SmartScan are trademarks of GE HealthCare. DICOM is a trademark of National Electrical Manufacturers Association. FRAX is a registered trademark of the University of Sheffield, UK. Windows is a registered trademark of Microsoft Corporation. GE is a trademark of General Electric Company used under trademark license.

November 2023  
JB00513XE



GE HealthCare